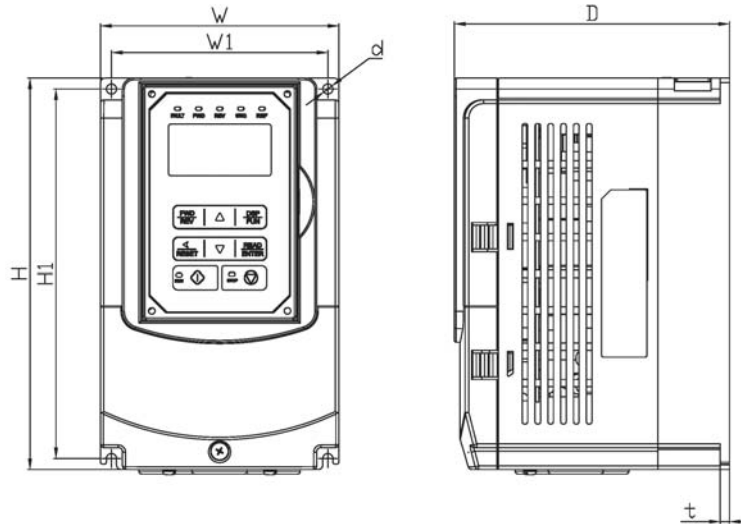


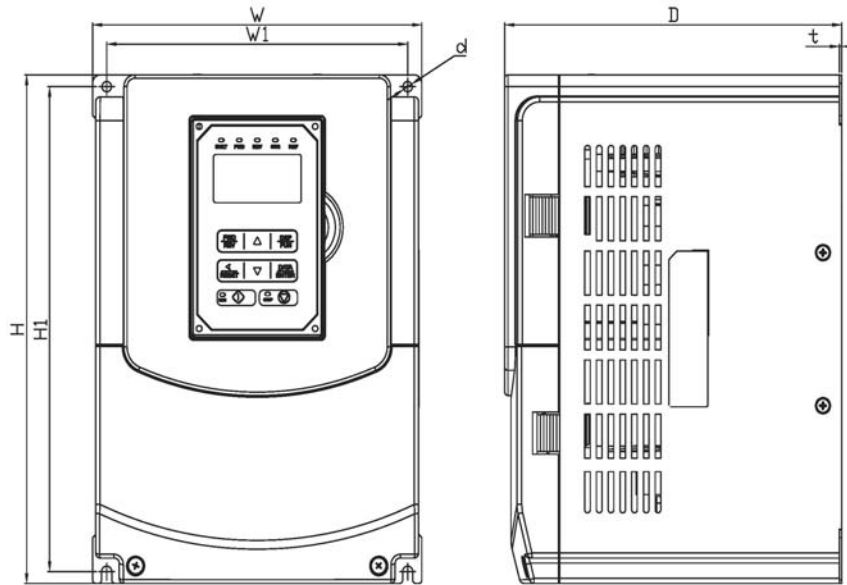
3.21 Inverter Dimensions

(a) 200V: 1 – 7.5HP / 400V: 1 - 7.5HP/ 575V:1-3HP (IP20/NEMA1)



Inverter Model	Dimensions in mm (inch)						d	Net Weight in kg (lbs)
	W	H	D	W1	H1	t		
A510-2001-SH	130 (5.12)	215 (8.46)	150 (5.91)	118 (4.65)	203 (7.99)	5 (0.20)	M5	2.2 (4.9)
A510-2002-SH	130 (5.12)	215 (8.46)	150 (5.91)	118 (4.65)	203 (7.99)	5 (0.20)	M5	2.2 (4.9)
A510-2003-SH	140 (5.51)	279 (10.98)	177 (6.97)	122 (4.80)	267 (10.51)	7 (0.28)	M6	3.8 (8.4)
A510-2005-SH3	140 (5.51)	279 (10.98)	177 (6.97)	122 (4.80)	267 (10.51)	7 (0.28)	M6	3.8 (8.4)
A510-2008-SH3	140 (5.51)	279 (10.98)	177 (6.97)	122 (4.80)	267 (10.51)	7 (0.28)	M6	3.8 (8.4)
A510-4001-SH3	130 (5.12)	215 (8.46)	150 (5.91)	118 (4.65)	203 (7.99)	5 (0.20)	M5	2.2 (4.9)
A510-4002-SH3	130 (5.12)	215 (8.46)	150 (5.91)	118 (4.65)	203 (7.99)	5 (0.20)	M5	2.2 (4.9)
A510-4003-SH3	130 (5.12)	215 (8.46)	150 (5.91)	118 (4.65)	203 (7.99)	5 (0.20)	M5	2.2 (4.9)
A510-4005-SH3	140 (5.51)	279 (10.98)	177 (6.97)	122 (4.80)	267 (10.51)	7 (0.28)	M6	3.8 (8.4)
A510-4008-SH3	140 (5.51)	279 (10.98)	177 (6.97)	122 (4.80)	267 (10.51)	7 (0.28)	M6	3.8 (8.4)
A510-5001-SH3	140 (5.51)	279 (10.98)	177 (6.97)	122 (4.80)	267 (10.51)	7 (0.28)	M6	3.8 (8.4)
A510-5002-SH3	140 (5.51)	279 (10.98)	177 (6.97)	122 (4.80)	267 (10.51)	7 (0.28)	M6	3.8 (8.4)
A510-5003-SH3	140 (5.51)	279 (10.98)	177 (6.97)	122 (4.80)	267 (10.51)	7 (0.28)	M6	3.8 (8.4)

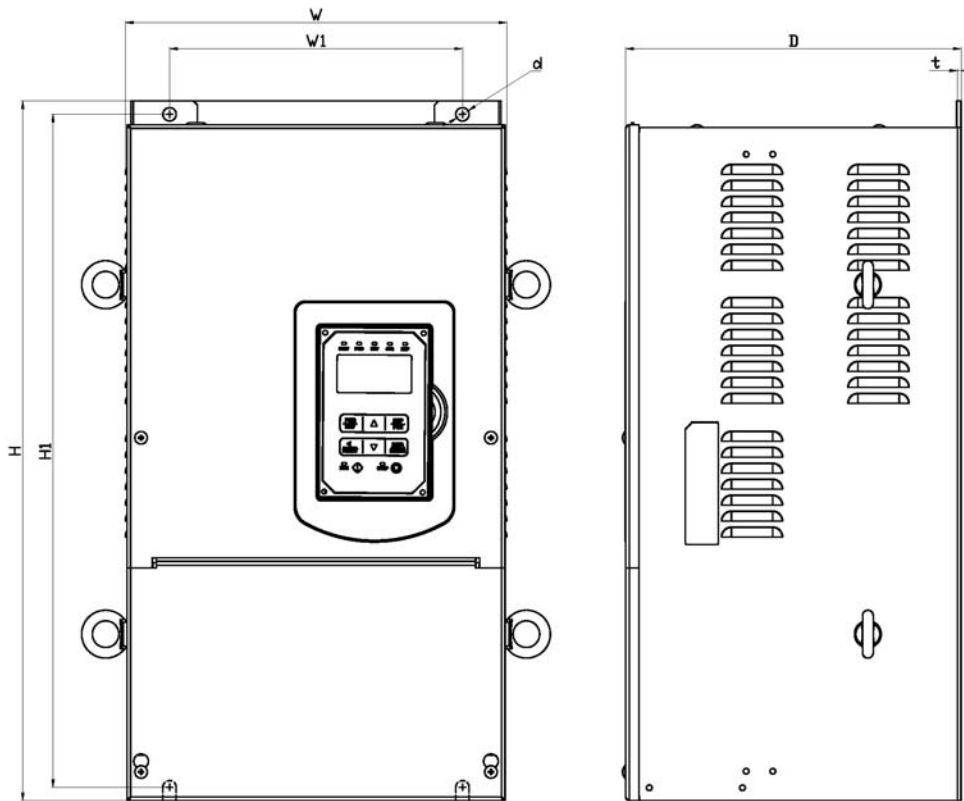
200V: 10 - 25HP / 400V: 10 - 30HP / 575V: 5~10HP / 690V: 15~40HP (IP20/NEMA1)



Inverter Model	Dimensions in mm (inch)						d	Net Weight in kg (lbs)
	W	H	D	W1	H1	t		
A510-2010-SH3	210 (8.27)	300 (11.81)	215 (8.46)	192 (7.56)	286 (11.26)	1.6 (0.06)	M6	6.2 (13.67)
A510-2015-SH3	265 (10.43)	360 (14.17)	225 (8.86)	245 (9.65)	340 (13.39)	1.6 (0.06)	M8	10 (22.05)
A510-2020-SH3	265 (10.43)	360 (14.17)	225 (8.86)	245 (9.65)	340 (13.39)	1.6 (0.06)	M8	10 (22.05)
A510-2025-SH3	265 (10.43)	360 (14.17)	225 (8.86)	245 (9.65)	340 (13.39)	1.6 (0.06)	M8	10 (22.05)
A510-4010-SH3	210 (8.27)	300 (11.81)	215 (8.46)	192 (7.56)	286 (11.26)	1.6 (0.06)	M6	6.2 (13.67)
A510-4015-SH3	210 (8.27)	300 (11.81)	215 (8.46)	192 (7.56)	286 (11.26)	1.6 (0.06)	M6	6.2 (13.67)
A510-4020-SH3	210 (8.27)	300 (11.81)	215 (8.46)	192 (7.56)	286 (11.26)	1.6 (0.06)	M6	6.2 (13.67)
A510-4025-SH3	265 (10.43)	360 (14.17)	225 (8.86)	245 (9.65)	340 (13.39)	1.6 (0.06)	M8	10 (22.05)
A510-4030-SH3	265 (10.43)	360 (14.17)	225 (8.86)	245 (9.65)	340 (13.39)	1.6 (0.06)	M8	10 (22.05)
A510-5005-SH3	210 (8.27)	300 (11.81)	215 (8.46)	192 (7.56)	286 (11.26)	1.6 (0.06)	M6	6.2 (13.67)
A510-5008-SH3	210 (8.27)	300 (11.81)	215 (8.46)	192 (7.56)	286 (11.26)	1.6 (0.06)	M6	6.2 (13.67)
A510-5010-SH3	210 (8.27)	300 (11.81)	215 (8.46)	192 (7.56)	286 (11.26)	1.6 (0.06)	M6	6.2 (13.67)
A510-6015-SH3	265 (10.43)	360 (14.17)	225 (8.86)	245 (9.65)	340 (13.39)	1.6 (0.06)	M8	10 (22.05)

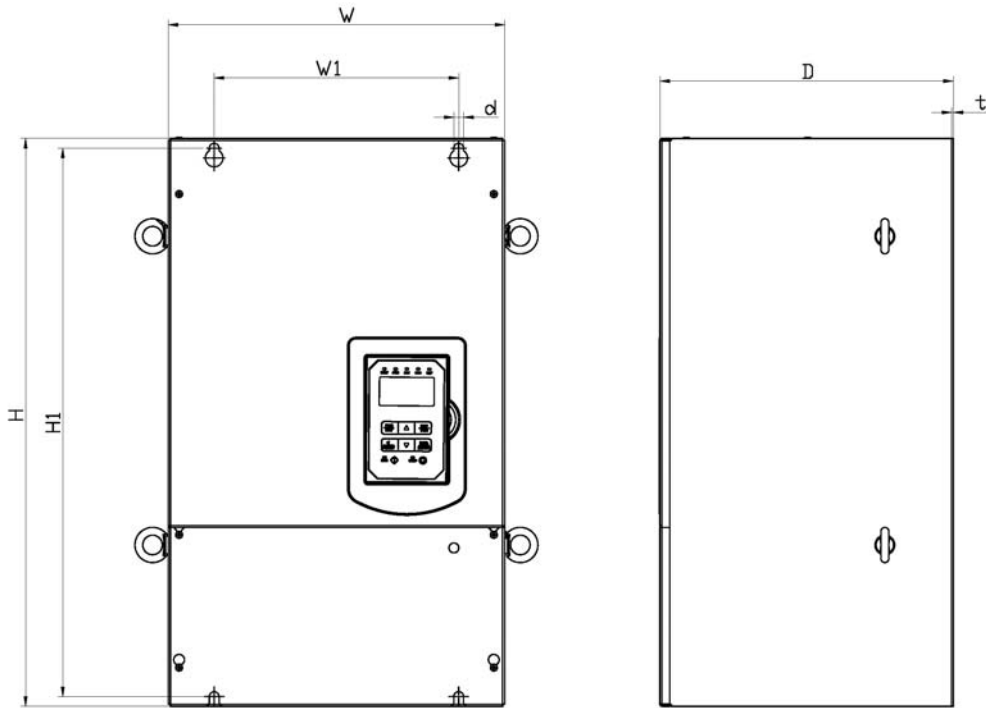
Inverter Model	Dimensions in mm (inch)						d	Net Weight in kg (lbs)
	W	H	D	W1	H1	t		
A510-6020-SH3	265 (10.43)	360 (14.17)	225 (8.86)	245 (9.65)	340 (13.39)	1.6 (0.06)	M8	10 (22.05)
A510-6025-SH3	265 (10.43)	360 (14.17)	225 (8.86)	245 (9.65)	340 (13.39)	1.6 (0.06)	M8	10 (22.05)
A510-6030-SH3	265 (10.43)	360 (14.17)	225 (8.86)	245 (9.65)	340 (13.39)	1.6 (0.06)	M8	10 (22.05)
A510-6040-SH3	265 (10.43)	360 (14.17)	225 (8.86)	245 (9.65)	340 (13.39)	1.6 (0.06)	M8	10 (22.05)

(b) 200V: 30 - 40HP / 400V: 40 - 75HP / 690V 50~75HP (IP20/NEMA1)



Inverter Model	Dimensions in mm (inch)						d	Net Weight in kg (lbs)
	W	H	D	W1	H1	t		
A510-2030-SH3	286.5 (11.29)	525 (20.67)	252 (9.92)	220 (8.66)	505 (19.88)	3.3 (0.13)	M8	30 (66.14)
A510-2040-SH3	286.5 (11.29)	525 (20.67)	252 (9.92)	220 (8.66)	505 (19.88)	3.3 (0.13)	M8	30 (66.14)
A510-4040-SH3	286.5 (11.29)	525 (20.67)	252 (9.92)	220 (8.66)	505 (19.88)	3.3 (0.13)	M8	30 (66.14)
A510-4050-SH3	286.5 (11.29)	525 (20.67)	252 (9.92)	220 (8.66)	505 (19.88)	3.3 (0.13)	M8	30 (66.14)
A510-4060-SH3	286.5 (11.29)	525 (20.67)	252 (9.92)	220 (8.66)	505 (19.88)	3.3 (0.13)	M8	30 (66.14)
A510-4075-SH3	286.5 (11.29)	525 (20.67)	252 (9.92)	220 (8.66)	505 (19.88)	3.3 (0.13)	M8	35 (77.16)
A510-6050-SH3	286.5 (11.29)	525 (20.67)	252 (9.92)	220 (8.66)	505 (19.88)	3.3 (0.13)	M8	30 (66.14)
A510-6060-SH3	286.5 (11.29)	525 (20.67)	252 (9.92)	220 (8.66)	505 (19.88)	3.3 (0.13)	M8	30 (66.14)
A510-6075-SH3	286.5 (11.29)	525 (20.67)	252 (9.92)	220 (8.66)	505 (19.88)	3.3 (0.13)	M8	30 (66.14)

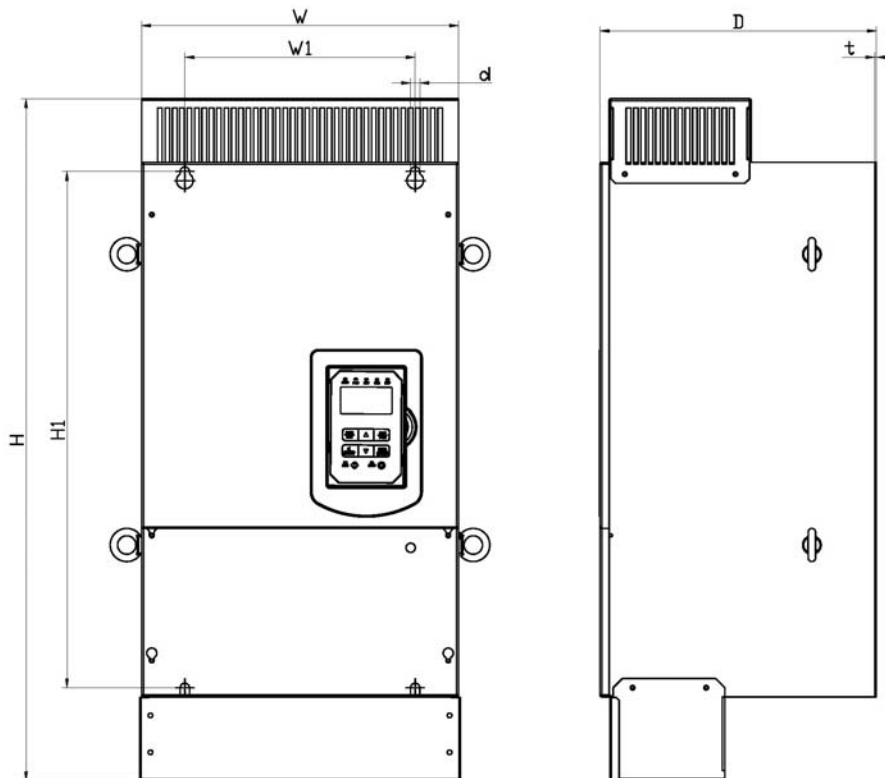
(c) 200V: 50 - 100HP / 400V: 100 - 215HP / 690V: 100~270HP (IP00)



Inverter Model	Dimensions in mm (inch)						d	Net Weight in kg (lbs)
	W	H	D	W1	H1	t		
A510-2050-SH3	344 (13.54)	580 (22.83)	300 (11.81)	250 (9.84)	560 (22.05)	1.6 (0.06)	M8	46.7 (102.96)
A510-2060-SH3	344 (13.54)	580 (22.83)	300 (11.81)	250 (9.84)	560 (22.05)	1.6 (0.06)	M8	46.7 (102.96)
A510-2075-SH3	459 (18.07)	790 (31.10)	324.5 (12.78)	320 (12.60)	760 (29.92)	1.6 (0.06)	M10	88 (194.01)
A510-2100-SH3	459 (18.07)	790 (31.10)	324.5 (12.78)	320 (12.60)	760 (29.92)	1.6 (0.06)	M10	88 (194.01)
A510-4100-SH3	344 (13.54)	580 (22.83)	300 (11.81)	250 (9.84)	560 (22.05)	1.6 (0.06)	M8	46.7 (102.96)
A510-4125-SH3	344 (13.54)	580 (22.83)	300 (11.81)	250 (9.84)	560 (22.05)	1.6 (0.06)	M8	46.7 (102.96)
A510-4150-SH3	459 (18.07)	790 (31.10)	324.5 (12.78)	320 (12.60)	760 (29.92)	1.6 (0.06)	M10	88 (194.01)
A510-4175-SH3	459 (18.07)	790 (31.10)	324.5 (12.78)	320 (12.60)	760 (29.92)	1.6 (0.06)	M10	88 (194.01)
A510-4215-SH3	459 (18.07)	790 (31.10)	324.5 (12.78)	320 (12.60)	760 (29.92)	1.6 (0.06)	M10	88 (194.01)
A510-6100-SH3	344 (13.54)	580 (22.83)	300 (11.81)	250 (9.84)	560 (22.05)	1.6 (0.06)	M8	46.7 (102.96)

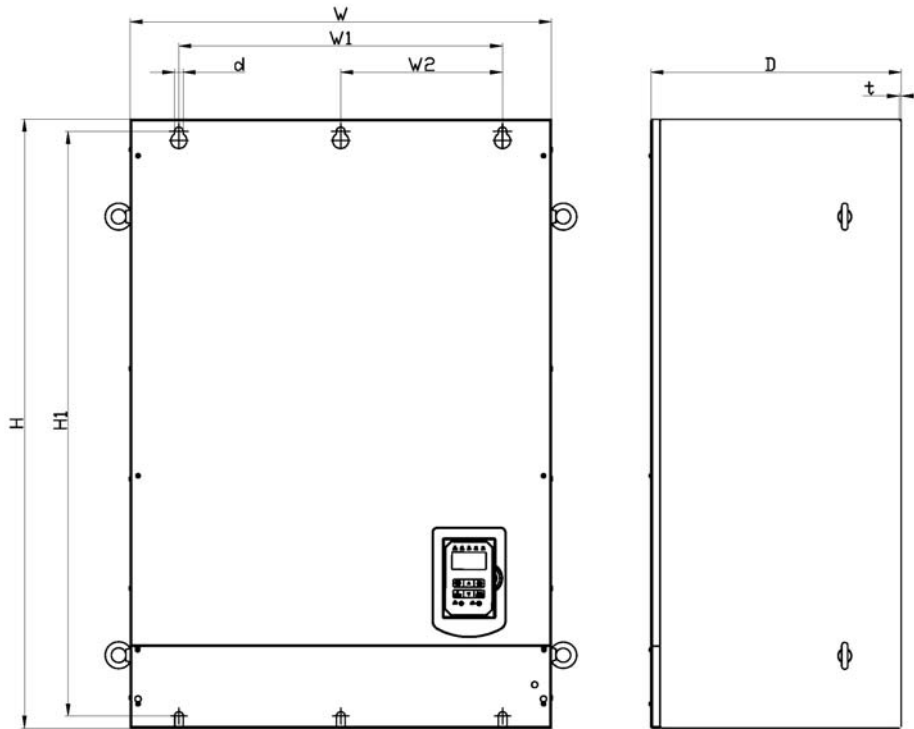
A510-6125-SH3	344 (13.54)	580 (22.83)	300 (11.81)	250 (9.84)	560 (22.05)	1.6 (0.06)	M8	46.7 (102.96)
A510-6150-SH3	344 (13.54)	580 (22.83)	300 (11.81)	250 (9.84)	560 (22.05)	1.6 (0.06)	M8	46.7 (102.96)
A510-6175-SH3	459 (18.07)	790 (31.10)	324.5 (12.78)	320 (12.60)	760 (29.92)	1.6 (0.06)	M10	88 (194.01)
A510-6215-SH3	459 (18.07)	790 (31.10)	324.5 (12.78)	320 (12.60)	760 (29.92)	1.6 (0.06)	M10	88 (194.01)
A510-6250-SH3	459 (18.07)	790 (31.10)	324.5 (12.78)	320 (12.60)	760 (29.92)	1.6 (0.06)	M10	88 (194.01)
A510-6270-SH3	459 (18.07)	790 (31.10)	324.5 (12.78)	320 (12.60)	760 (29.92)	1.6 (0.06)	M10	88 (194.01)

(d) 200V: 50 - 100HP / 400V: 100 - 215HP/ 690V: 100~270HP (IP20/ NEMA1)



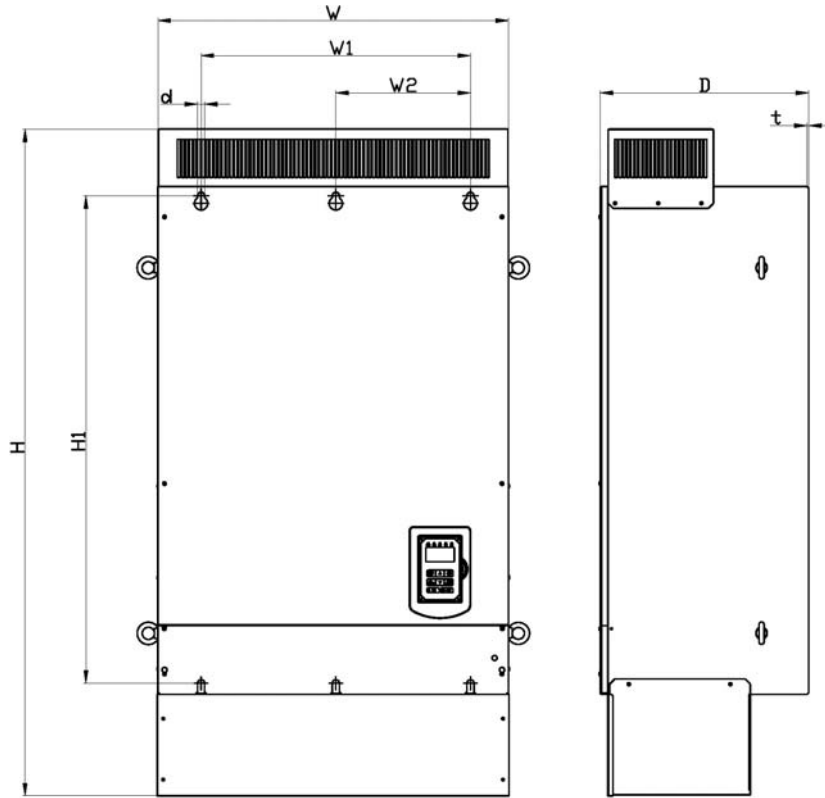
Inverter Model	Dimensions in mm (inch)						d	Net Weight in kg (lbs)
	W	H	D	W1	H1	t		
A510-2050-SH3	348.5 (13.72)	740 (29.13)	300 (11.81)	250 (9.84)	560 (22.05)	1.6 (0.06)	M8	49.7 (109.57)
A510-2060-SH3	348.5 (13.72)	740 (29.13)	300 (11.81)	250 (9.84)	560 (22.05)	1.6 (0.06)	M8	49.7 (109.57)
A510-2075-SH3	463.5 (18.25)	1105 (43.50)	324.5 (12.78)	320 (12.60)	760 (29.92)	1.6 (0.06)	M10	94.4 (208.12)
A510-2100-SH3	463.5 (18.25)	1105 (43.50)	324.5 (12.78)	320 (12.60)	760 (29.92)	1.6 (0.06)	M10	94.4 (208.12)
A510-4100-SH3	348.5 (13.72)	740 (29.13)	300 (11.81)	250 (9.84)	560 (22.05)	1.6 (0.06)	M8	49.7 (109.57)
A510-4125-SH3	348.5 (13.72)	740 (29.13)	300 (11.81)	250 (9.84)	560 (22.05)	1.6 (0.06)	M8	49.7 (109.57)
A510-4150-SH3	463.5 (18.25)	1105 (43.50)	324.5 (12.78)	320 (12.60)	760 (29.92)	1.6 (0.06)	M10	94.4 (208.12)
A510-4175-SH3	463.5 (18.25)	1105 (43.50)	324.5 (12.78)	320 (12.60)	760 (29.92)	1.6 (0.06)	M10	94.4 (208.12)
A510-4215-SH3	463.5 (18.25)	1105 (43.50)	324.5 (12.78)	320 (12.60)	760 (29.92)	1.6 (0.06)	M10	94.4 (208.12)
A510-6100-SH3	348.5 (13.72)	740 (29.13)	300 (11.81)	250 (9.84)	560 (22.05)	1.6 (0.06)	M8	49.7 (109.57)
A510-6125-SH3	348.5 (13.72)	740 (29.13)	300 (11.81)	250 (9.84)	560 (22.05)	1.6 (0.06)	M8	49.7 (109.57)
A510-6150-SH3	348.5 (13.72)	740 (29.13)	300 (11.81)	250 (9.84)	560 (22.05)	1.6 (0.06)	M8	49.7 (109.57)
A510-6175-SH3	463.5 (18.25)	1105 (43.50)	324.5 (12.78)	320 (12.60)	760 (29.92)	1.6 (0.06)	M10	94.4 (208.12)
A510-6215-SH3	463.5 (18.25)	1105 (43.50)	324.5 (12.78)	320 (12.60)	760 (29.92)	1.6 (0.06)	M10	94.4 (208.12)
A510-6250-SH3	463.5 (18.25)	1105 (43.50)	324.5 (12.78)	320 (12.60)	760 (29.92)	1.6 (0.06)	M10	94.4 (208.12)
A510-6270-SH3	463.5 (18.25)	1105 (43.50)	324.5 (12.78)	320 (12.60)	760 (29.92)	1.6 (0.06)	M10	94.4 (208.12)

(e) 200V: 125 - 150HP / 400V: 270 - 425HP (IP00)



Inverter Model	Dimensions in mm (inch)							d	Net Weight in kg (lbs)
	W	H	D	W1	W2	H1	t		
A510-2125-SH3	690 (27.17)	1000 (39.37)	410 (16.14)	530 (20.87)	265 (10.43)	960 (37.80)	2 (0.08)	M12	184 (405.65)
A510-2150-SH3	690 (27.17)	1000 (39.37)	410 (16.14)	530 (20.87)	265 (10.43)	960 (37.80)	2 (0.08)	M12	184 (405.65)
A510-4270-SH3	690 (27.17)	1000 (39.37)	410 (16.14)	530 (20.87)	265 (10.43)	960 (37.80)	2 (0.08)	M12	184 (405.65)
A510-4300-SH3	690 (27.17)	1000 (39.37)	410 (16.14)	530 (20.87)	265 (10.43)	960 (37.80)	2 (0.08)	M12	184 (405.65)
A510-4375-SH3	690 (27.17)	1000 (39.37)	410 (16.14)	530 (20.87)	265 (10.43)	960 (37.80)	2 (0.08)	M12	184 (405.65)
A510-4425-SH3	690 (27.17)	1000 (39.37)	410 (16.14)	530 (20.87)	265 (10.43)	960 (37.80)	2 (0.08)	M12	184 (405.65)

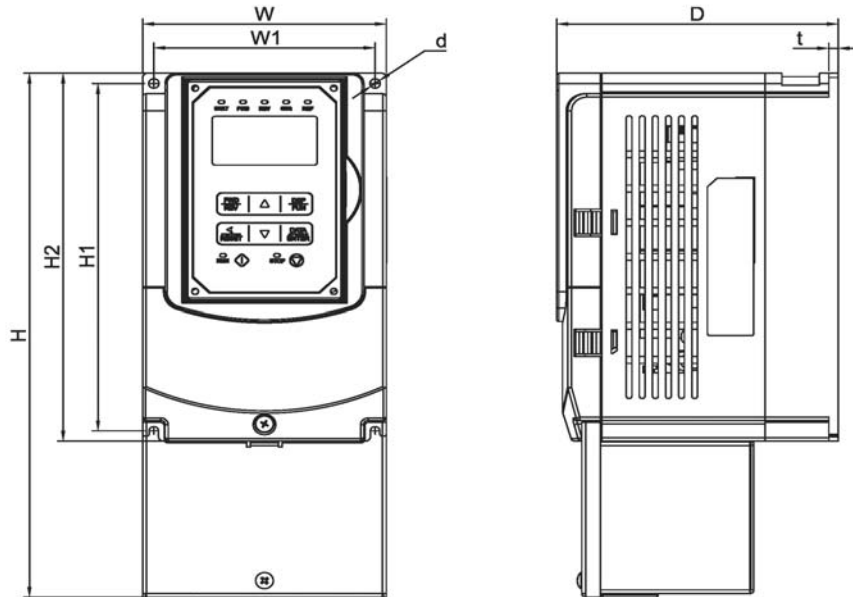
(f) 200V: 125 - 150HP / 400V: 270 - 425HP (IP20/NEMA1)



Inverter Model	Dimensions in mm (inch)								Net Weight in kg (lbs)
	W	H	D	W1	W2	H1	t	d	
A510-2125-SH3	692 (27.24)	1313 (51.69)	410 (16.14)	530 (20.87)	265 (10.43)	960 (37.80)	2 (0.08)	M12	196 (432.11)
A510-2150-SH3	692 (27.24)	1313 (51.69)	410 (16.14)	530 (20.87)	265 (10.43)	960 (37.80)	2 (0.08)	M12	196 (432.11)
A510-4270-SH3	692 (27.24)	1313 (51.69)	410 (16.14)	530 (20.87)	265 (10.43)	960 (37.80)	2 (0.08)	M12	196 (432.11)
A510-4300-SH3	692 (27.24)	1313 (51.69)	410 (16.14)	530 (20.87)	265 (10.43)	960 (37.80)	2 (0.08)	M12	196 (432.11)
A510-4375-SH3	692 (27.24)	1313 (51.69)	410 (16.14)	530 (20.87)	265 (10.43)	960 (37.80)	2 (0.08)	M12	196 (432.11)
A510-4425-SH3	692 (27.24)	1313 (51.69)	410 (16.14)	530 (20.87)	265 (10.43)	960 (37.80)	2 (0.08)	M12	196 (432.11)

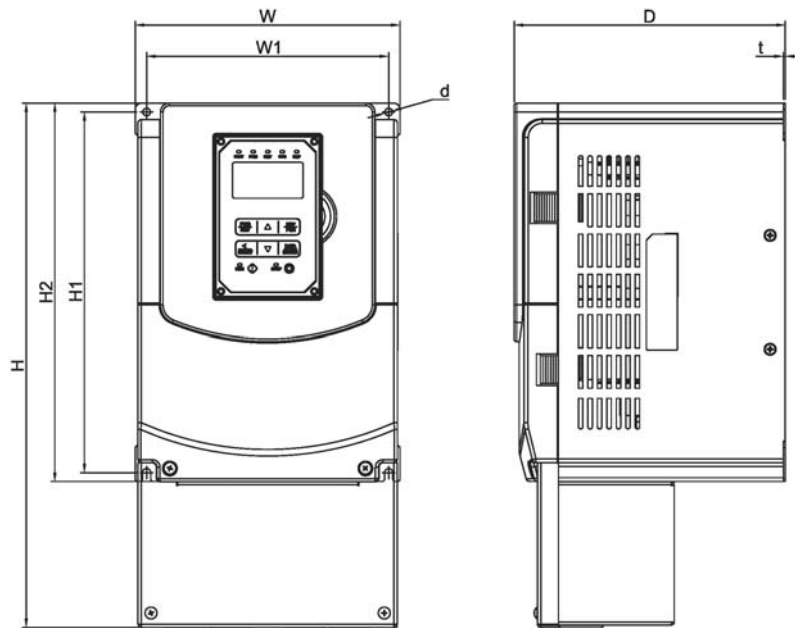
3.22 Dimensions for Models with Built-in Filter

(a) 400V: 1 - 7.5HP



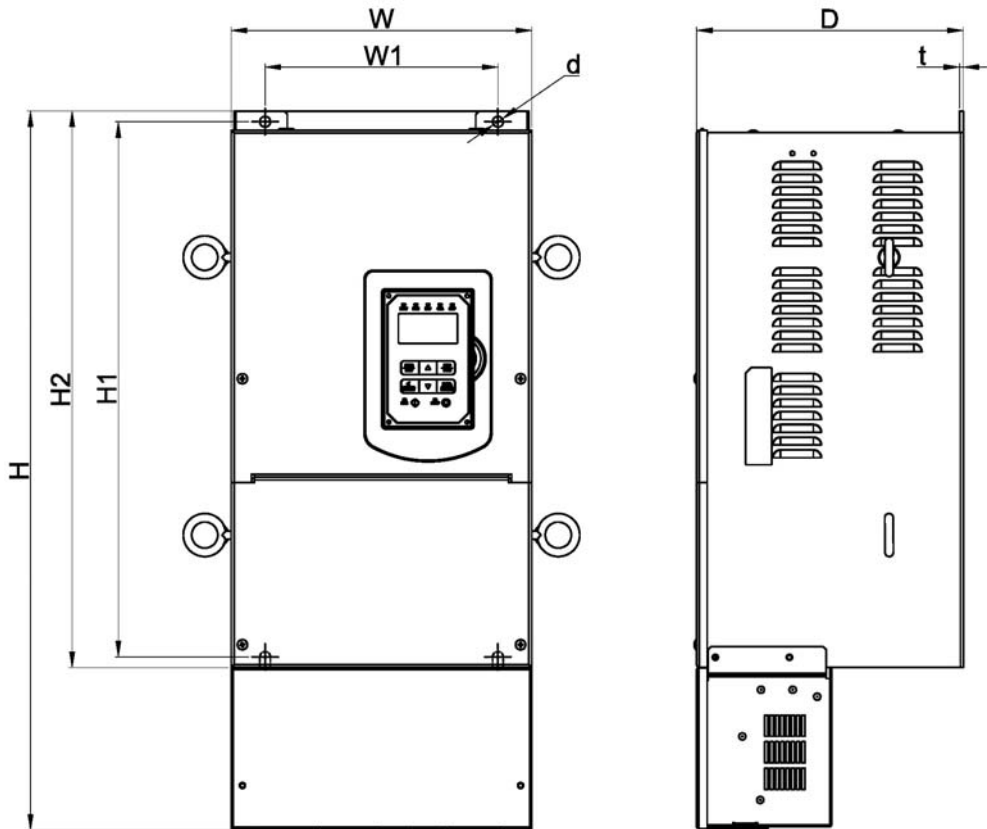
Inverter Model	Dimensions in mm (inch)							d	Net Weight in kg (lbs)
	W	H	D	W1	H1	H2	t		
A510-4001-SH3F	130 (5.12)	306 (12.05)	150 (5.91)	118 (4.65)	203 (7.99)	215 (8.46)	5	M5	3.5 (7.71)
A510-4002-SH3F	130 (5.12)	306 (12.05)	150 (5.91)	118 (4.65)	203 (7.99)	215 (8.46)	5	M5	3.5 (7.71)
A510-4003-SH3F	130 (5.12)	306 (12.05)	150 (5.91)	118 (4.65)	203 (7.99)	215 (8.46)	5	M5	3.5 (7.71)
A510-4005-SH3F	140 (5.51)	400 (15.75)	177 (6.97)	122 (4.80)	267 (10.51)	279 (10.98)	7	M6	5.5 (12.13)
A510-4008-SH3F	140 (5.51)	400 (15.75)	177 (6.97)	122 (4.80)	267 (10.51)	279 (10.98)	7	M6	5.5 (12.13)

(b) 400V: 10 - 30HP



Inverter Model	Dimensions in mm (inch)							d	Net Weight in kg (lbs)
	W	H	D	W1	H1	H2	t		
A510-4010-SH3F	210 (8.27)	416.5 (16.40)	215 (8.46)	192 (7.56)	286 (11.26)	300 (11.81)	1.6 (0.06)	M6	8.0 (17.63)
A510-4015-SH3F	210 (8.27)	416.5 (16.40)	215 (8.46)	192 (7.56)	286 (11.26)	300 (11.81)	1.6 (0.06)	M6	8.0 (17.63)
A510-4020-SH3F	265 (10.43)	500 (19.69)	225 (8.86)	245 (9.65)	340 (13.39)	360 (14.17)	1.6 (0.06)	M8	12.5 (27.56)
A510-4025-SH3F	265 (10.43)	500 (19.69)	225 (8.86)	245 (9.65)	340 (13.39)	360 (14.17)	1.6 (0.06)	M8	12.5 (27.56)
A510-4030-SH3F	265 (10.43)	500 (19.69)	225 (8.86)	245 (9.65)	340 (13.39)	360 (14.17)	1.6 (0.06)	M8	12.5 (27.56)

(c) 400V: 40 - 60HP



Inverter Model	Dimensions in mm (inch)							d	Net Weight in kg (lbs)
	W	H	D	W1	H1	H2	t		
A510-4040-SH3F	286.5 (11.28)	679 (26.73)	252 (9.92)	220 (8.66)	505 (19.88)	525 (20.67)	3.3 (0.13)	M8	32.5 (71.65)
A510-4050-SH3F	286.5 (11.28)	679 (26.73)	252 (9.92)	220 (8.66)	505 (19.88)	525 (20.67)	3.3 (0.13)	M8	32.5 (71.65)
A510-4060-SH3F	286.5 (11.28)	679 (26.73)	252 (9.92)	220 (8.66)	505 (19.88)	525 (20.67)	3.3 (0.13)	M8	32.5 (71.65)